

## VIP-176 SIP Door Intercom

### INTRODUCTION

The VIP-176 SIP Talkback Door Intercom allows communication to SIP Based telephone systems or Valcom Enhanced Station Port adapters and via an IP-based network.



### SPECIFICATIONS

#### Access Methods

- SIP – enabled telephone system
- PBX, FXO Port w/Valcom Enhanced Station Port
- POTS telephone set w/Valcom Enhanced Station Port
- Valcom M Cast Page Group

#### Features

- RJ-45 for network connection
- 1 Form C Smart Relay (Optional)
- Network activity LEDs
- Power over Ethernet (PoE) 802.3af compatible

#### Dimensions/Weight:

- 4.75" H x 4.75" W x 2.25" D  
(12.06cm H x 12.06cm W x 5.71cm D)
- Weight: 0.75 lbs. (0.34 kg)

#### Nominal Power Requirements

Via 802.3af PoE Ethernet Switch: Class 3

#### Environment

##### Network Interface:

Temperature: 0 to +40° C

Humidity: 0 to 85% non-precipitating

- Suitable for indoor or outdoor installation, protected from direct precipitation.

### Precautionary Designations



### FCC Information

This equipment has been tested and found to comply with the limits for a Class A digital device, pursuant to Part 15 of the FCC Rules. These limits are designed to provide reasonable protection against harmful interference when the equipment is operated in a commercial environment. This equipment generates uses and can radiate radio frequency energy and if not installed and used in accordance with the instruction manual, may cause harmful interference to radio communications. Operation of this equipment in a residential area may cause harmful interference in which case the user will be required to correct the interference at his own expense.

# INSTALLATION

## Operation:

The VIP-176 provides door intercom access via network connection to customer telephone system or stand alone telephone set. Interface to customer telephone system can be via SIP registration to a voice over IP (VoIP) telephone system, or FXO port (when used with a Valcom Enhanced Station Port). Pressing the call button on the door plate initiates a call to a user-specified telephone number and the call assurance LED on the door plate begins to flash. When the call is answered, a hands-free communications path is established to the door plate, and the call assurance LED on the door plate remains lit. An optional Smart Relay module, VM-SRLY is available separately, which provides one form C relay for uses such as activating door entry equipment.

## Mounting

**For enhanced protection against static electrical discharge, it is recommended the VIP-176 be installed into a grounded electrical box.**

The VIP-176 Doorplate is designed for double gang FD electrical box mounting. See NEMA OS 3-2002 sec.1.2.3.5 for FD box specifications. (See Figure 1)

When purchasing a weatherproof box, confirm adequate depth and that there are no obstructions in the box; particularly any ground screw should be off-center. For example, Bell part number 5333-0 could be used. (See Figure 2)

## Power Connections

The only method of powering the Network Interface is via a Power over Ethernet (PoE) switch or power injector meeting the 802.3af specification.

Make all required signal connections before connecting to Ethernet switch or power injector meeting the 802.3af specification.

## Network Connection

The VIP-176 has one RJ-45 Network connector. **Green LED:** (Link) Indicates Ethernet connection when illuminated.

**Yellow LED:** (Activity) Indicator flashes to indicate network activity.

Use a standard Ethernet patch cable to connect the NETWORK connector to an Ethernet switch. (See Figure 3)

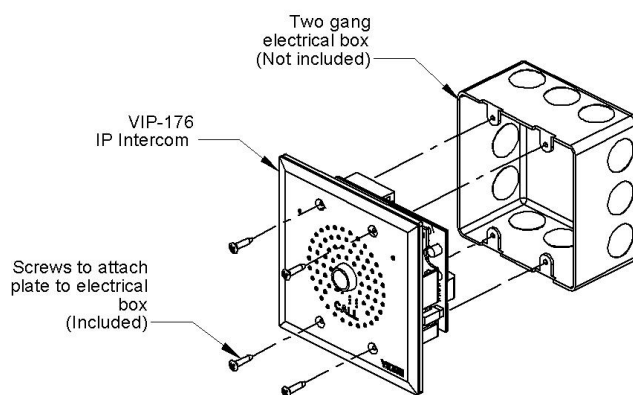


Figure 1.

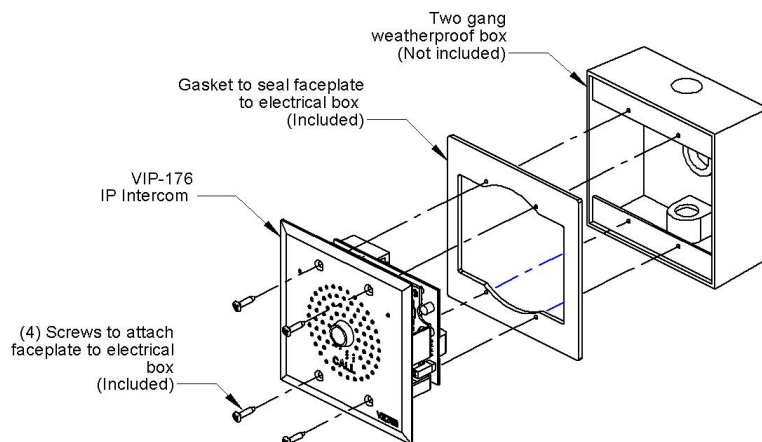


Figure 2.

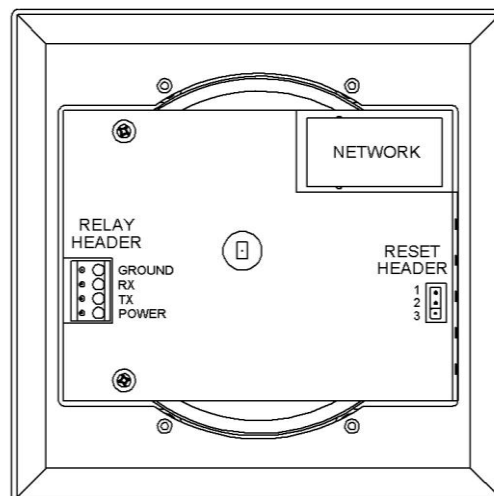


Figure 3.

## Status Indicator Lights

The VIP-176 Door plate is equipped with a call status indicator LED. LED flashes when the call button is pressed and steady when the call is connected.

## Relay Connections

An optional Smart Relay module, VM-SRLY, may be ordered separately. The Relay Header on the VIP-176 provides power and data for the VM-SRLY. Connect the VM-SRLY to the removable 4-pin screw cage header on the VIP-176 with standard Category 5 UTP cable. Do not connect any other device to the Relay Header on the VIP-176. (See Figure 3)

The VM-SRLY can be mounted external to the VIP-176 or in the same outlet box (if the box is deep enough). If the VM-SRLY is placed in a weatherproof box, a two-gang extension should be used. For example, Bell part number 5407-0 could be used.

## SETUP

Information specific to your application will need to be programmed into the VIP-176 using a computer. The PC used for programming should be connected to the same subnet as the VIP-176. Setup will be done using the IP Solution Setup Tool. Download the latest version of the free IP Solutions Setup Tool from the Valcom web site at [www.valcom.com/vipsetuptool](http://www.valcom.com/vipsetuptool)

## TECHNICAL ASSISTANCE

Assistance in troubleshooting is available from the factory. Call (540) 563-2000 and press 1 for Technical Support or via email at [support@valcom.com](mailto:support@valcom.com).

When requesting assistance, you should include all available information. General information and troubleshooting procedures are available on the Valcom website at [www.valcom.com](http://www.valcom.com). Valcom equipment is not field repairable. Valcom, Inc. maintains service facilities in Roanoke, VA.

Should repairs be necessary, attach a tag to the unit clearly stating your company name, address, phone number, contact person and the nature of the problem.

Send the unit to:

**Valcom, Inc.**  
**Repair & Return Dept.**  
**5614 Hollins Road**  
**Roanoke, Va. 24019-5056**

### VALCOM LIMITED WARRANTY

Valcom, Inc. warrants its products only to the original purchaser, for its own use, to be free from defects in materials and workmanship under conditions of normal use and service for a period of one year from the date of shipment. This Limited Warranty obligation shall be limited to the replacement, repair or refund of any such defective device within the warranty period, provided that:

1. inspection by Valcom, Inc. indicates the validity of the claim;
2. the defect is not the result of damage, misuse or negligence after the original shipment;
3. the product has not been altered in any way or repaired by others and that factory sealed units are unopened (a service charge plus parts and labor will be applied to units defaced or physically damaged);
4. freight charges for the return of products to Valcom are prepaid;
5. all units 'out of warranty' are subject to a service charge. The service charge will cover minor repairs (major repairs will be subject to additional charges for parts and labor).

**This Limited Warranty is in lieu of and excludes all other warranties, expressed or implied and in no event shall Valcom, Inc. be liable for any anticipated profits, consequential damages, loss of time or other losses incurred by the buyer in connection with the purchase, operation, maintenance, installation, removal or use of the product. The maximum liability of Valcom under this warranty is limited to the purchase price of the specific Product covered by the warranty.**

**Disclaimer.** Except for the Limited Warranty provided herein, the product is provided "as-is" without any warranty of any kind whatsoever including, without limitation, any **WARRANTY OF MERCHANTABILITY, FITNESS FOR A PARTICULAR PURPOSE OR NON-INFRINGEMENT.**

This warranty specifically excludes damage incurred in shipment. In the event a product is received in damaged condition, the carrier should be notified immediately. Claims for such damage should be filed with the carrier involved in accordance with the F.O.B. point.

Headquarters:  
Valcom, Inc.  
5614 Hollins Road Roanoke, VA 24019-5056  
Phone: (540) 563-2000 FAX: (540) 362-9800

