

## **VP-412A 12 VOLT DC POWER SUPPLY**

### **INTRODUCTION**

These instructions contain the specifications and information necessary to install, operate and maintain the VP-412A, 12 Volt DC Power Supply.

### **SPECIFICATIONS**

#### **Description**

The VP-412A is a 12 Volt DC power supply designed to provide up to 0.4 Amp of 12VDC "unfiltered battery." The VP-412A features a right angle barrel-type connector.

#### **Application**

The VP-412A is for use with the Valcom V-2952, FM Tuner.

#### **Dimensions/Weight**

- 2.60" H x 2.00" W x 2.30" D  
(6.60cm H x 5.08cm W x 5.84cm D)
- 0.7 lbs. (.32 kg)

#### **Features**

- High impact, ABS plastic case
- UL listed

#### **Power Requirements**

- Input 105-130V, 60Hz

#### **Environment**

- Temperature: 0 to +50 Degrees C
- Humidity: 0 to 85% non-precipitating

### **INSTALLATION**

The VP-412A is a receptacle mount, 2-prong power supply with a coaxial "barrel-type" plug.

1. To install the VP-412A, insert the "barrel-type" plug into the hole on the V-2952 marked "-12VDC" (Refer to the figure on the next page).
2. Plug 2-prong power supply into 120VAC wall receptacle.



### **TECHNICAL ASSISTANCE**

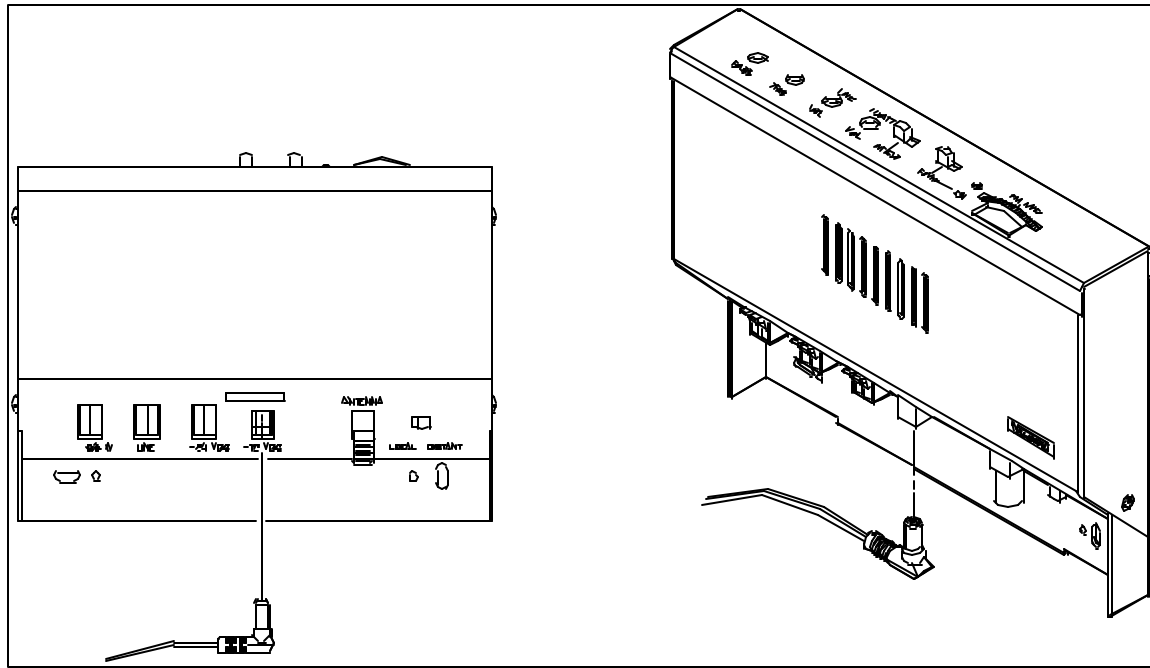
When trouble is reported, verify that AC power is being supplied to the unit.

To test the power supply, remove barrel-type plug from the V-2952 and measure the output voltage with a meter. Nominal voltage unloaded should measure 16 to 24VDC. If no voltage is measured, replace the unit.

Assistance in troubleshooting is available from the factory. When calling, you should have a VOM available and be calling from the job site. Call (540) 563-2000 and ask for Technical Support, or call (540) 767-1555 for Valcom 24-hour Faxback System or visit our website at <http://www.valcom.com>.

The VP-412A is not field repairable. Should repairs be necessary, attach a tag to the unit clearly stating your company name, address, phone number, contact person and the nature of the problem. Send the unit to:

**Valcom, Inc.  
Repair and Return Dept.  
5614 Hollins Road  
Roanoke, VA 24019-5056**



*VP-412A being used with the V-2952 Tuner.*

### VALCOM LIMITED WARRANTY

Valcom, Inc. warrants its products to be free from defects in materials and workmanship under conditions of normal use and service for a period of one year from the date of shipment. The obligation under this warranty shall be limited to the replacement, repair or refund of any such defective device within the warranty period, provided that:

1. inspection by Valcom, Inc. indicates the validity of the claim;
2. the defect is not the result of damage, misuse or negligence after the original shipment;
3. the product has not been altered in any way or repaired by others and that factory sealed units are unopened (A service charge plus parts and labor will be applied to units defaced or physically damaged);
4. freight charges for the return of products to Valcom are prepaid;
5. all units 'out of warranty' are subject to a service charge. The service charge will cover minor repairs (Major repairs will be subject to additional charges for parts and labor).

**This warranty is in lieu of and excludes all other warranties, expressed or implied, and in no event shall Valcom, Inc. be liable for any anticipated profits, consequential damages, loss of time or other losses incurred by the buyer in connection with the purchase, operation or use of the product.**

This warranty specifically excludes damage incurred in shipment. In the event a product is received in damaged condition, the carrier should be notified immediately. Claims for such damage should be filed with the carrier involved in accordance with the F.O.B. point.

Headquarters:  
 Valcom, Inc.  
 5614 Hollins Road  
 Roanoke, VA 24019-5056  
 Phone: (540) 563-2000  
 FAX: (540) 362-9800

In Canada  
 CMX Corporation  
 35 Van Kirk Drive #11 and 12  
 Brampton, Ontario L7A 1A5  
 Phone: (905) 456-1072  
 FAX: (905) 456-2269