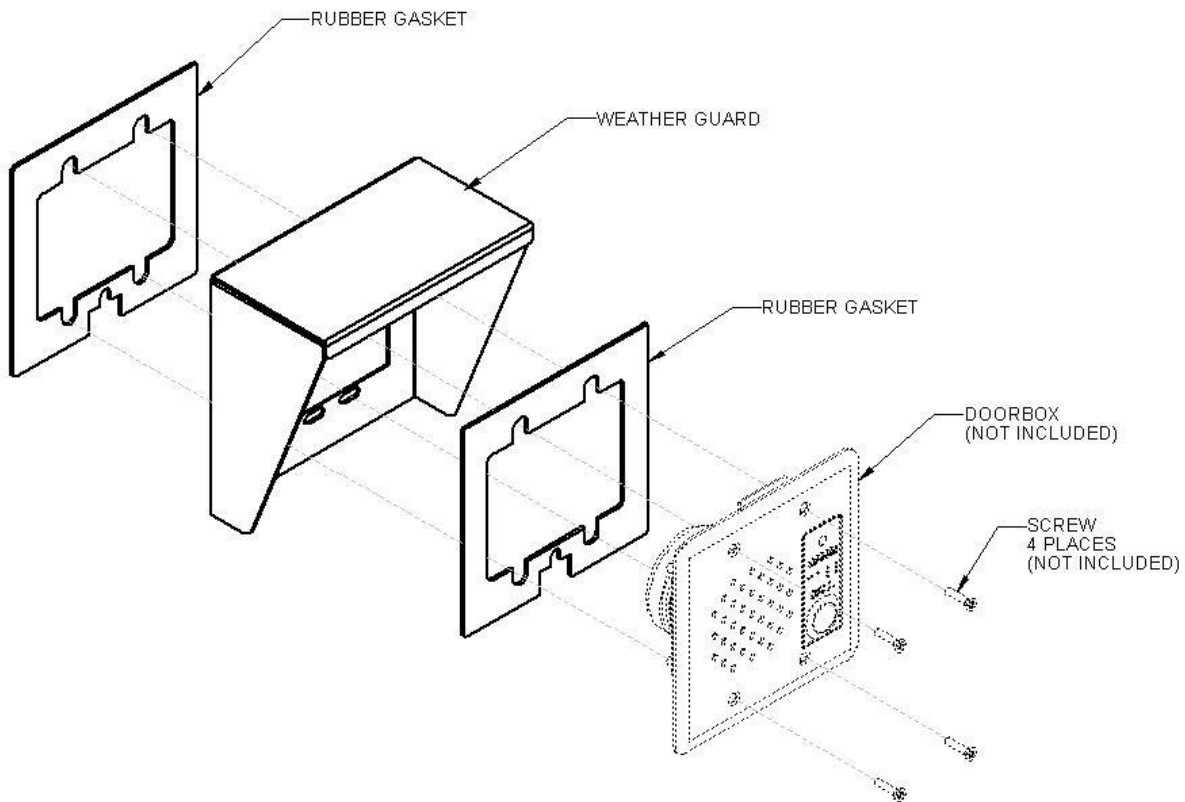


## V-9910-BK Protection Cover (Black) V-9910-YEL Protection Cover (Yellow)

### INSTALLATION GUIDE



#### INTRODUCTION

The V-9910 (-BK, -YEL) Doorbox Weather Guard provides protection from precipitation and foreign objects which may compromise the operation of the doorbox. It is designed for use with various Valcom doorbox devices. The enclosure is made of steel with either a durable black or yellow powder coated finish. The color of the enclosure can easily be changed to match any décor.

#### DIMENSIONS/WEIGHT

- 5.25" W X 5.38" H X 3.00" D
- (13.335cm X 13.665cm X 7.62cm)
- 1.25 lbs (.056 kg)

#### PACKING LIST

Qty	Item
1	V-9910 (-BK, -YEL) Doorbox Weather Guard
1	VSP Document
2	Rubber Gaskets

## INSTALLATION

**Note: Refer to schematic drawing on Page 1.**

The V-9910 Doorbox Weather Guard is designed for mounting on a standard double gang electrical outlet box (not included).

Place one rubber gasket behind the Weather Guard and place the second rubber gasket inside the Weather Guard. Insert the signal cable for the Doorbox Speaker through all three pieces and connect the cable to the Doorbox Speaker.

Align the screw holes in the Doorbox Speaker with the holes in the rubber gaskets and Weather Guard to screw holes in the double gang outlet box, and attach with four screws.

## TECHNICAL ASSISTANCE

Assistance is available from the factory when problems are encountered. Call (540) 563-2000 and press 1 for Technical Support or visit our website at <http://www.valcom.com>.

Valcom equipment is not field repairable. Valcom, Inc. maintains service facilities in Roanoke, VA. Should repairs be necessary, attach a tag to the unit clearly stating company name, address, phone number, contact person and the nature of the problem. Send the unit to:

**Valcom, Inc.  
Repair and Return Dept.  
5614 Hollins Road  
Roanoke, VA 24019-5056**

### VALCOM LIMITED WARRANTY

Valcom, Inc. warrants its products to be free from defects in materials and workmanship under conditions of normal use and service for a period of one year from the date of shipment. The obligation under this warranty shall be limited to the replacement, repair or refund of any such defective device within the warranty period, provided that:

1. inspection by Valcom, Inc. indicates the validity of the claim;
2. the defect is not the result of damage, misuse or negligence after the original shipment;
3. the product has not been altered in any way or repaired by others and that factory sealed units are unopened (a service charge plus parts and labor will be applied to units defaced or physically damaged);
4. freight charges for the return of products to Valcom are prepaid;
5. all units 'out of warranty' are subject to a service charge. The service charge will cover minor repairs (major repairs will be subject to additional charges for parts and labor).

This warranty is in lieu of and excludes all other warranties, expressed or implied and in no event shall Valcom, Inc. be liable for any anticipated profits, consequential damages, loss of time or other losses incurred by the buyer in connection with the purchase, operation or use of the product.

This warranty specifically excludes damage incurred in shipment. In the event a product is received in damaged condition, the carrier should be notified immediately. Claims for such damage should be filed with the carrier involved in accordance with the F.O.B. point.

Headquarters:  
Valcom, Inc.  
5614 Hollins Road  
Roanoke, VA 24019-5056  
Phone: (540) 563-2000