

TECHNICAL ASSISTANCE

When trouble is reported, verify there are no broken connections to the unit. Assistance in troubleshooting is available from the factory. When calling, you should have a Volt-Ohm meter and a lineman's test set available and be calling from the job site. Call (540) 563-2000 and ask for Technical Support, or visit our website at <http://www.valcom.com>.

Valcom equipment is not field repairable. Valcom, Inc. maintains service facilities in Roanoke, VA. Should repairs be necessary, attach a tag to the unit clearly stating your company name, address, phone number, contact person and the nature of the problem. Send the unit to:

**Valcom, Inc.
Repair and Return Dept.
5614 Hollins Road
Roanoke, VA 24019-5056**

WARRANTY

Warranty information may be found on our website at www.valcom.com/warranty.

TROUBLESHOOTING CHART

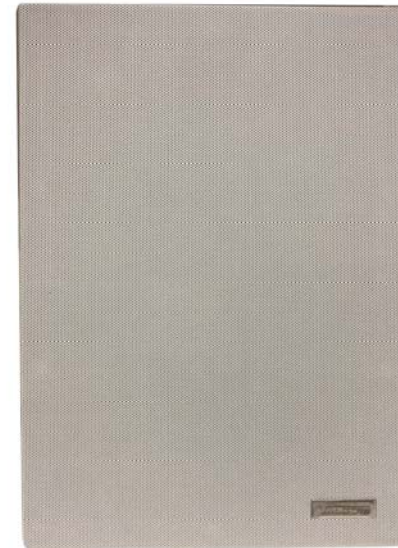
SYMPTOMS	ACTIONS
No audio from speaker	1. Verify volume control is turned up (Clockwise). 2. Using a lineman's test set, check for proper audio level on Tip/A and Ring/B leads and if necessary at the source.
Low volume from speaker	1. Verify volume control is turned up. 2. Check voltage at speaker when in use (-18 to -24VDC required). 3. Using a lineman's test set, check for proper audio level on Tip/A and Ring/B leads. It is possible some low level audio will be heard with only one side of Tip/A and Ring/B connected.
Loud squeal (Feedback)	1. Decrease volume of speaker (Counterclockwise). 2. Increase the distance between telephone and speaker. 3. Install confidencer on telephone in severe problem areas.

INSTALLATION INSTRUCTIONS FOR

VALCOM

SIGNATURE SERIES™, HIGH FIDELITY

AMPLIFIED IN-WALL SPEAKER



MODEL NO. V-1450

**VALCOM SIGNATURE SERIES HIGH FIDELITY
SELF-AMPLIFIED IN-WALL SPEAKER**

The Valcom Signature Series™ In-Wall Speaker, V-1450, is a high fidelity, self-amplified (6 Watt) speaker and may be used to provide one-way paging and high quality music reproduction from any Valcom Page Control. This speaker has an externally accessible volume control located behind the grille and is screwdriver adjustable. The V-1450 will cover an area up to 600 square feet and should be spaced 20 feet apart. Good quality paging will be heard up to 30 feet in front of the speaker. The V-1450 requires -24VDC, 200mA (4 Valcom power units). The speaker is available in white and supplied with a trim ring and grille.

NOTE: No power amplifier required. Do not connect this speaker directly to a 25/70/100 Volt amplifier as damage to both the amplifier and speaker may occur. (Recommended nominal input level to the V-1450 is -10dBm).

Mounting/Connections

CAUTION: Before cutting hole, identify and locate all plumbing and electrical wiring.

Using the enclosed cutout template, mark outline of cutout on wall. Make sure speaker is centered between any wall studs. Using the appropriate tool, cut a hole in the wall following the template outline.

Insert a small screwdriver tip between the grill and speaker to remove grill from the front of the speaker assembly. Assemble speaker, mounting frame and hardware as shown in the diagram. Do not tighten frame completely.

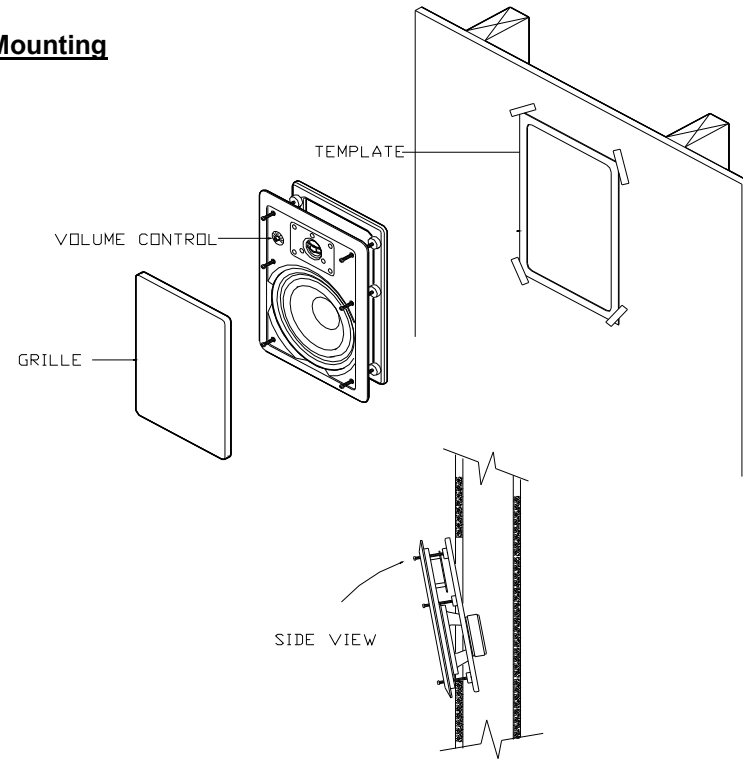
After assembling mounting frame, make connections to the terminal block. Insert stripped wire into appropriate terminal and tighten with screwdriver. Each connector accepts 18 to 24AWG wire. With the tweeter on top, place mounting bracket into hole in the wall. Push speaker assembly flush to wall and slide up 1/2 inch. Tighten two center screws first, then tighten the remaining screws. Set volume control to 1/2 volume and test. Press grill into slot around speaker assembly.

NOTE: Exercise caution when handling speaker assembly with grill removed.

**Recommended Quantity of Speakers per Specific Power Run
(Standard Category 3 Twisted Pair Telephone Wire)**

Speakers per Power Run	Wire Run Length (Feet)	
	24AWG	22AWG
V-1450		
8	125	200
4	250	400
2	500	800

Mounting



Dimensions/Weight

- 12.00"H x 8.65"W x 3.20"D (30.48cm H x 21.97cm W x 8.13cm D)
- 3 lbs (1.36 kg)

FCC Notice

NOTE: The equipment has been tested and found to comply with the limits for Class A digital devices, pursuant to Part 15 of the FCC Rules. These limits are designed to provide reasonable protection against harmful interference when the equipment is operated in a commercial environment. This equipment generates, uses and can radiate radio frequency energy. If not installed and used in accordance with the instruction manual, it may cause harmful interference to radio communications. Operation of this equipment in a residential area is likely to cause harmful interference in which case the user will be required to correct the interference at his own expense.

NOTE: The manufacturer is not responsible for any radio or TV interference caused by unauthorized modifications to this equipment. Such modifications could void the user's authority to operate the equipment.