

V-1001 P-TEC SURFACE MOUNT AMPLIFIED CEILING SPEAKER

INTRODUCTION

The V-1001 is a surface mounted speaker that is self-amplified and is capable of reproducing voice paging as well as background music. The V-1001 has an externally accessible volume control that can be adjusted by a screwdriver through the side hole on the housing. All speakers require -24VDC, 50mA. The baffle is designed for mounting on acoustic tile, such as those normally found in suspended-ceilings and can be mounted without cutting large holes in the tile. The mounting pins can be removed for mounting in a hard ceiling. The speaker housing has screw holes for securing speaker without mounting pins. Although the P-TEC speakers are designed specifically for standard suspended ceilings, they can be used on many types of ceiling materials. Two pair category 3/5/5E/6 UTP cable recommended.



INSTALLATION (see Figure 1)

1. Lift the adjacent ceiling tile and slide it out of the way.
2. Pierce hole in tile where speaker is to be mounted with a screwdriver. Feed wire through hole to connect to speaker.

3. Make connections to amplifier (see Figure 2).
4. Install the speaker by inserting the mounting pins through the ceiling tile and hold the speaker in place.
5. Place the speaker mounting clips over mounting pins (so pins slide through clips).
6. If necessary, adjust paging volume after installation. The volume control is located on the side of the speaker. Use a small screwdriver to turn the control.
7. Install the volume control cover found in the accessory pack.

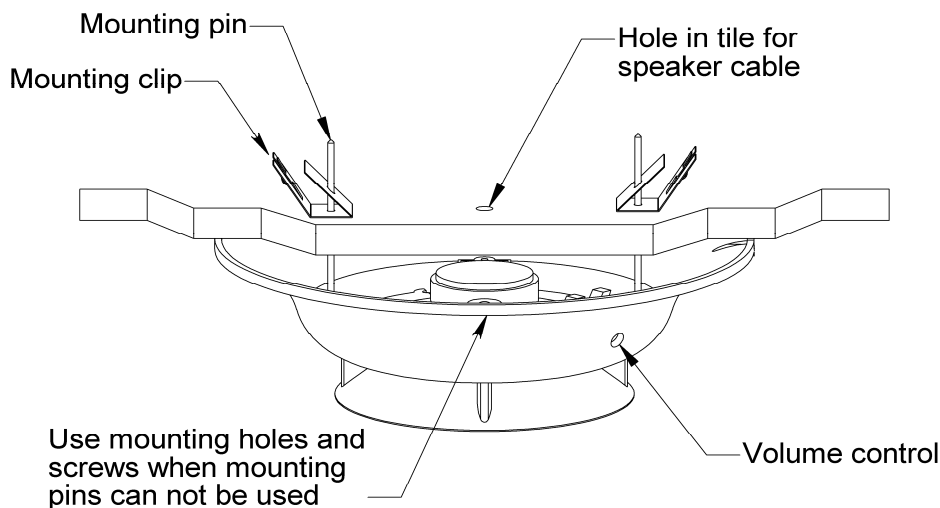


Figure 1.

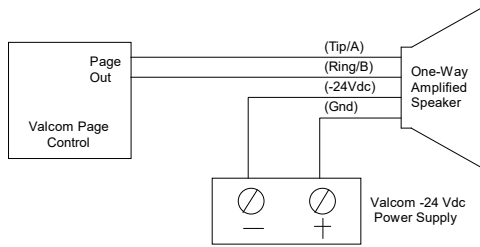


Figure 2. Typical Connections

NOTE: Do not connect this speaker directly to a 25/70/100 Volt amplifier as damage to both the amplifier and speaker may occur. A V-1095 may be used to allow the use of Valcom self-amplified speakers on 70V speaker lines.

Dimensions/Weight

- 8.00" Dia x 2.50" H (20.32cm x 6.35cm)
- 0.75 lbs. 0(.34 kg)

TECHNICAL ASSISTANCE

When trouble is reported, verify there are no broken connections. Assistance in troubleshooting is available from the factory. Call (540) 563-2000 and press 1 for Technical Support or visit our website at <http://www.valcom.com>.

Valcom equipment is not field repairable. Valcom, Inc. maintains service facilities in Roanoke, VA. Should repairs be necessary, attach a tag to the unit clearly stating company name, address, phone number, contact person and nature of the problem. Send the unit to:

Valcom, Inc.
Repair & Return Dept.
5614 Hollins Road
Roanoke, VA 24019-5056

WARRANTY

Warranty information may be found on our website at www.valcom.com/warranty.

TROUBLESHOOTING CHART	
SYMPTOMS	ACTIONS
1. No audio from speaker	1a. Verify that volume control is turned up (Clockwise). 1b. Using a lineman's test set, monitor for the proper audio level on the Tip and Ring leads and if necessary also at the source.
2. Low volume from speaker	2a. Verify that volume control is turned up. 2b. Verify voltage at the speaker assembly when in use, -18 to -24VDC required. 2c. Using a lineman's test set, monitor for the proper audio level on Tip and Ring leads. It is possible that some low-level audio will be heard with only one side of Tip and Ring connected.
3. Loud squeal (Feedback)	3a. Turn down (Counter-clockwise) volume of the speaker. 3b. Increase the distance between the telephone and speaker. 3c. Install a noise canceling handset on the telephone in severe problem areas. 3d. Add a V-9964, Digital Feedback Eliminator.