

## VIP-490AL-IC IP Talkback Flexhorn InformaCast® Compliant

### SPECIFICATIONS

#### Access Methods

- Singlewire InformaCast server
- SIP-enabled telephone system

#### Features

- RJ-45 for network connection
- LED Status Indicator
- Network activity LEDs
- Power over Ethernet (PoE) 802.3af compatible

#### Dimensions/Weight

##### Horn

- 6.8" (17.3 cm) H x 8.3" (21.1 cm) W x 3.3" D (8.4 cm)

##### Network Interface

- 1.62" H x 5.63" W x 3.45" D (4.11 cm) x (14.30 cm) x (8.73 cm)
- **with brackets** – 8.22" W (20.87 cm)
- Weight: 2.10 lbs. (0.95 kg)

#### Nominal Power Requirements

Via 802.3af PoE Ethernet Switch: Class 3

#### Environment

##### VIP-490AL-IC Network Interface

Temperature: 0 to +40° C

Humidity: 0 to 85% non-precipitating

##### VIP-490AL-IC Horn:

Suitable for indoor or outdoor installation

#### Packing List

Qty	Item
1	VIP-490AL-IC Network Interface
1	VIP-490AL-IC Horn
1	VSP Document
1	VM-186 RJ-45 Connector



#### Precautionary Designations

	<b>CAUTION</b> RISK OF ELECTRIC SHOCK DO NOT OPEN	
<p>CAUTION: To reduce the risk of electric shock, Do not remove cover. No user serviceable parts inside. Refer servicing to qualified service personnel.</p>		
	<p>This symbol indicates that dangerous voltage constituting a risk of electric shock is present within this unit.</p>	
	<p>This symbol indicates that there are important operating and maintenance instructions in the literature accompanying this unit.</p>	

#### FCC Information

This equipment has been tested and found to comply with the limits for a Class A digital device, pursuant to Part 15 of the FCC Rules. These limits are designed to provide reasonable protection against harmful interference when the equipment is operated in a commercial environment. This equipment generates, uses and can radiate radio frequency energy and if not installed and used in accordance with the instruction manual, may cause harmful interference to radio communications. Operation of this equipment in a residential area may cause harmful interference in which case the user will be required to correct the interference at his own expense.

**IMPORTANT SAFETY INFORMATION**  
**CONSIGNES DE SÉCURITÉ IMPORTANTES**

1. Read these instructions.  
*Lisez ces instructions.*
2. Keep these instructions.  
*Conservez ces instructions.*
3. Heed all warnings.  
*Respectez tous les avertissements.*
4. Follow all instructions.  
*Suivez toutes les instructions.*
5. Do not use this apparatus near water.  
*Ne pas utiliser cet appareil près de l'eau.*
6. Clean only with dry cloth.  
*Nettoyer avec un chiffon sec.*
7. Do not block any ventilation openings. Install in accordance with the manufacturer's instructions.  
*Ne pas bloquer les ouvertures de ventilation. Installer conformément aux instructions du fabricant.*
8. Do not install near any heat sources such as radiators, heat registers, stoves or other apparatus (including amplifiers) that produce heat.  
*Ne pas installer à proximité de sources de chaleur telles que radiateurs, registres de chaleur, poêles ou autres appareils (y compris les amplificateurs) produisant de la chaleur.*
9. Do not defeat the safety purpose of the polarized or grounding-type plug. A polarized plug has two blades with one wider than the other. A grounding type plug has two blades and a third grounding prong. The wide blade and the third prong are provided for your safety. If the provided plug does not fit into your outlet consult an electrician for replacement of the obsolete outlet.  
*Ne pas contourner le dispositif de sécurité de la fiche polarisée ou de mise à la terre. Une fiche polarisée possède deux lames dont une plus large que l'autre. Une fiche de terre a deux lames et une troisième broche de mise à la terre. La lame large et la troisième broche sont fournies pour votre sécurité. Si la fiche fournie ne rentre pas dans votre prise, veuillez consulter un électricien pour le remplacement de la prise obsolète.*
10. Protect the power cord from being walked on or pinched particularly at plugs, convenience receptacles and the point where they exit from the apparatus.
11. Only use attachments/accessories specified by the manufacturer.  
*N'utilisez que des fixations / accessoires spécifiés par le fabricant.*
12. Use only with the cart, stand, tripod, bracket or table specified by the manufacturer or sold with the apparatus. When a cart is used, use caution when moving the cart/apparatus combination to avoid injury from tip-over.  
*Utilisez uniquement avec le chariot, stand, trépied, support ou table spécifié par le fabricant ou vendu avec l'appareil. Quand un chariot est utilisé, Soyez prudent lorsque vous déplacez l'ensemble chariot / appareil pour éviter des blessures dues au renversement.*
13. Unplug this apparatus during lightning storms or when unused for a long period of time.  
*Débranchez cet appareil pendant les orages ou lorsqu'il n'est pas utilisé pendant une longue période de temps.*
14. Refer all servicing to qualified service personnel. Servicing is required when the apparatus has been damaged in any way. Such as when the power supply cord or plug is damaged, liquid has been spilled, objects have fallen into the apparatus or the apparatus has been exposed to rain or moisture and does not operate normally or has been dropped.  
*Confiez toute réparation à un personnel qualifié. Une réparation est nécessaire lorsque l'appareil a été endommagé de quelque façon. Par exemple lorsque le cordon d'alimentation ou la fiche est endommagé, du liquide a été renversé, si des objets sont tombés dans l'appareil ou le appareil a été exposé à la pluie ou à l'humidité et ne fonctionne pas normalement ou s'il est tombé.*



## UNIVERSAL BRACKET

Loosen or separate the universal bracket leaves by loosening or removing the handle and hardware. Using the back leaf as a template, mark the wall through the mounting holes. Drill and mount to the wall using appropriate screws (not furnished) or mount directly to a junction box. Mount the T-bracket to the back of the horn as shown using the (2) ½ inch screws provided.

## Power Connections

The only method of powering a VIP-490AL-IC Network Interface is via a Power over Ethernet (PoE) switch or power injector meeting the 802.3af specification.

Make all required signal connections before connecting to Ethernet switch or power injector meeting the 802.3af specification.

## Network Connection

The VIP-490AL-IC Network Interface has one RJ-45 network connector, and one RJ-45 horn connector. Use standard Ethernet patch cable to connect the NETWORK connector of the VIP-490AL-IC Network Interface to a PoE Ethernet switch.

## Signal Connections

Audio output connection is made from the Signal Output. The RJ-45 connector on the horn is connected directly to the RJ-45 Signal Output socket on the IP Link. See Figure 1.

If additional length is required, any standard T568B extension may be used. See Figure 2.

If required, a normally open call button may be connected to the white blue pair (pins 4 and 5) of the HORN RJ-45 connector. See Figure 2.

## Status Indicator Lights

The VIP-490AL-IC has 2 status indication lights located on network jack:

**Green LED:** (Link) Indicates Ethernet connection when illuminated.

**Yellow LED:** (Activity) Indicator flashes to indicate network activity.

## Setup

The VIP-490AL-IC will automatically acquire an IP address (using DHCP) and connect to the InformaCast server when connected to the network and powered up. Information specific to your application will need to be programmed into the InformaCast server. Refer to the InformaCast documentation for further information.

## INSTALLATION

### Mounting

The VIP-490AL-IC Network Interface is designed for wall or table mounting and must be within 100 meters of the network switch.

**Wall:** Using the wood screws and mounting brackets provided, secure the VIP-490AL-IC Network Interface to the wall.

### Mounting (Horn)

#### Flush Mount using Mounting Screws

The cardboard packing material in which the horn is shipped also serves as the template for flush mounting. Using the template, mark the location of opening and mounting holes on wall. Drill holes appropriate to mounting hardware and cut out the opening. Make appropriate wiring connections and test the speaker for operation. Using appropriate mounting screws (not furnished) drill and mount the flange as shown.

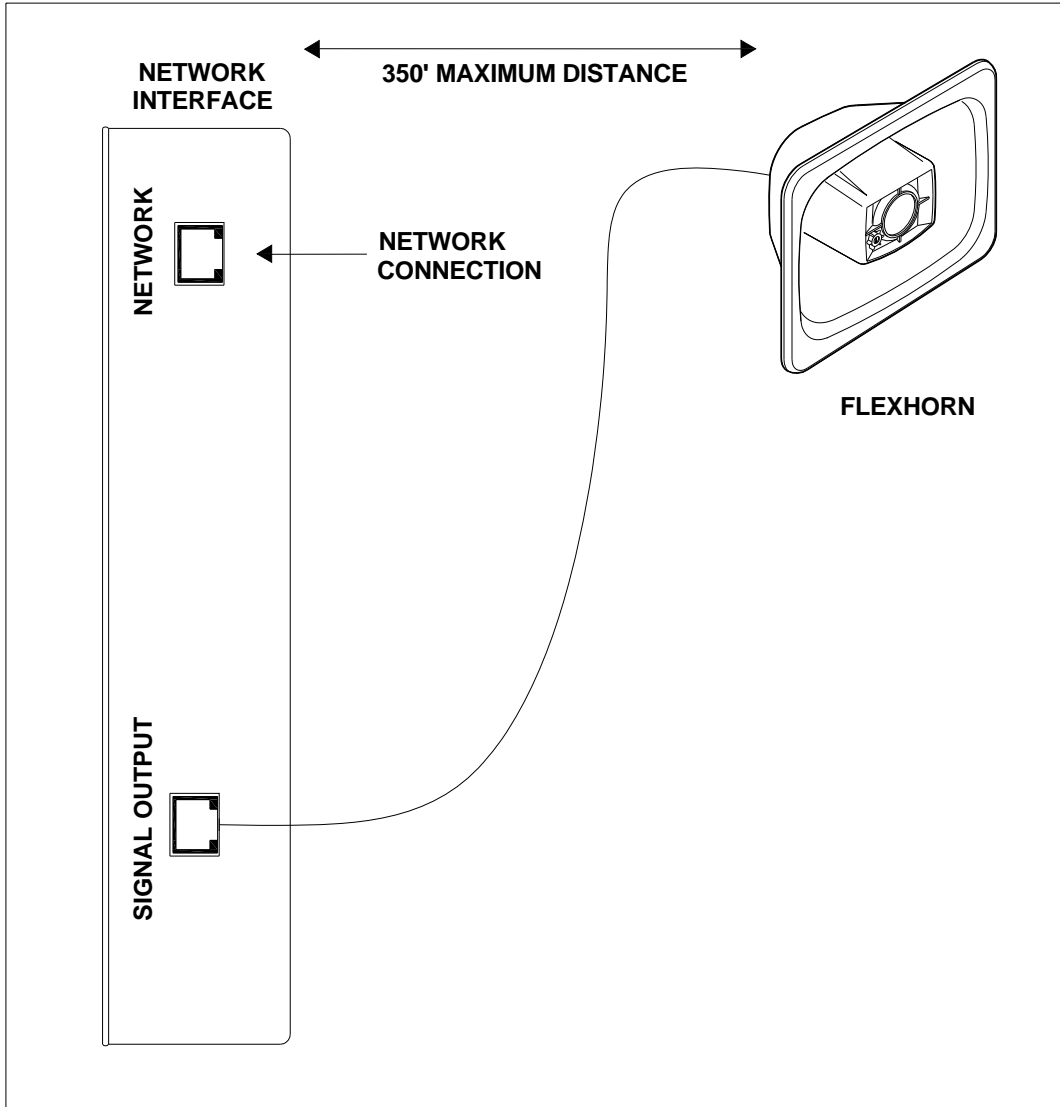
**TECHNICAL ASSISTANCE**

Assistance in troubleshooting is available from the factory. Call (540) 563-2000 and press 1 for Technical Support or visit our website at <http://www.valcom.com>.

Valcom equipment is not field repairable. Valcom, Inc. maintains service facilities in Roanoke, VA. Should repairs be necessary, attach a tag to

the unit clearly stating your company name, address, phone number, contact person and the nature of the problem. Send the unit to:

**Valcom, Inc.**  
**Repair & Return Dept.**  
**5614 Hollins Road**  
**Roanoke, Va. 24019-5056**



**Figure 1**

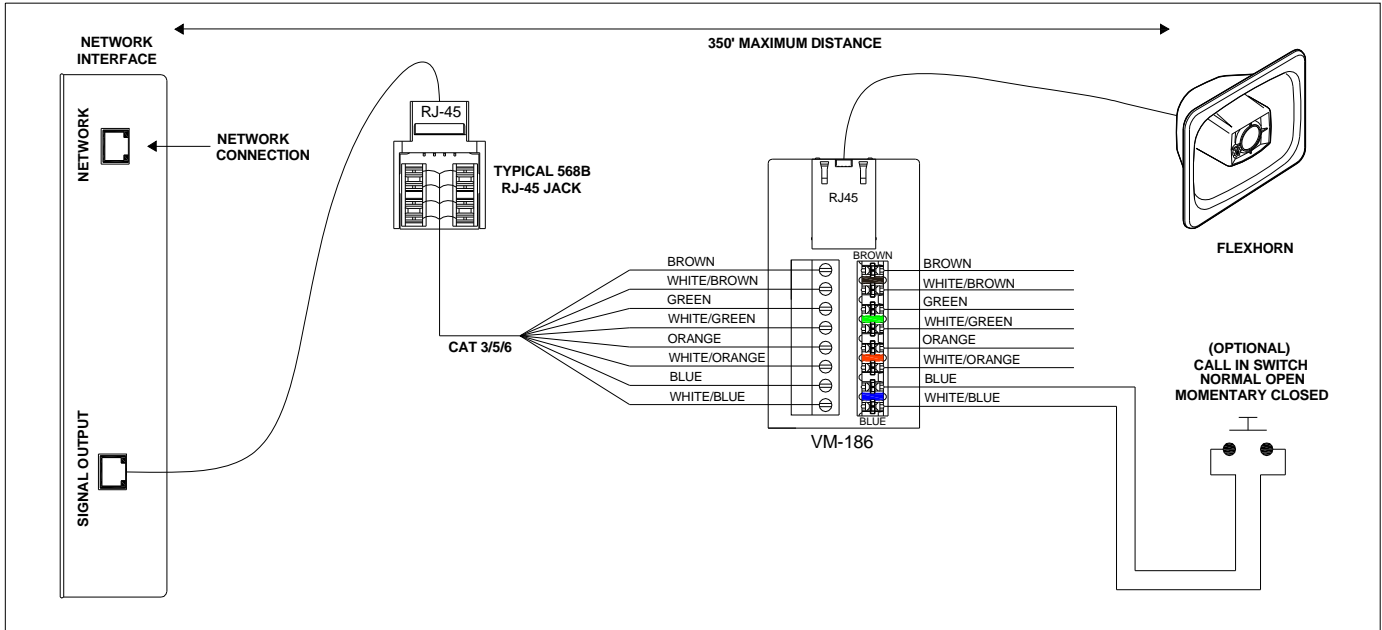


Figure 2

**VALCOM LIMITED WARRANTY**

Valcom, Inc. warrants its products only to the original purchaser, for its own use, to be free from defects in materials and workmanship under conditions of normal use and service for a period of one year from the date of shipment. This Limited Warranty obligation shall be limited to the replacement, repair or refund of any such defective device within the warranty period, provided that:

1. inspection by Valcom, Inc. indicates the validity of the claim;
2. the defect is not the result of damage, misuse or negligence after the original shipment;
3. the product has not been altered in any way or repaired by others and that factory sealed units are unopened (a service charge plus parts and labor will be applied to units defaced or physically damaged);
4. freight charges for the return of products to Valcom are prepaid;
5. all units 'out of warranty' are subject to a service charge. The service charge will cover minor repairs (major repairs will be subject to additional charges for parts and labor).

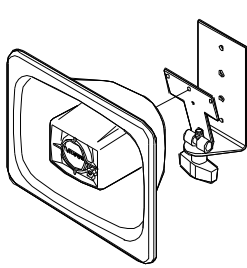
**This Limited Warranty is in lieu of and excludes all other warranties, expressed or implied and in no event shall Valcom, Inc. be liable for any anticipated profits, consequential damages, loss of time or other losses incurred by the buyer in connection with the purchase, operation, maintenance, installation, removal or use of the product. The maximum liability of Valcom under this warranty is limited to the purchase price of the specific Product covered by the warranty.**

**Disclaimer.** Except for the Limited Warranty provided herein, the product is provided "as-is" without any warranty of any kind whatsoever including, without limitation, any **WARRANTY OF MERCHANTABILITY, FITNESS FOR A PARTICULAR PURPOSE OR NON-INFRINGEMENT.**

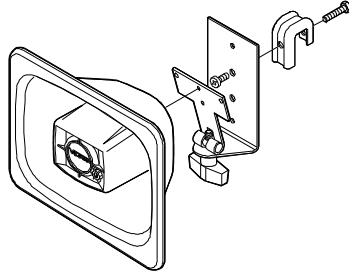
This warranty specifically excludes damage incurred in shipment. In the event a product is received in damaged condition, the carrier should be notified immediately. Claims for such damage should be filed with the carrier involved in accordance with the F.O.B. point.

Headquarters:  
 Valcom, Inc.  
 5614 Hollins Road Roanoke, VA 24019-5056  
 Phone: (540) 563-2000 FAX: (540) 362-9800

## UNIVERSAL BRACKET

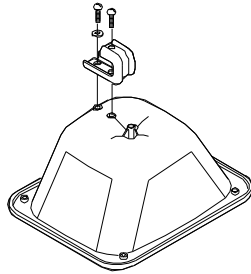


SURFACE MOUNTED WITH A  
UNIVERSAL MOUNTING BRACKET

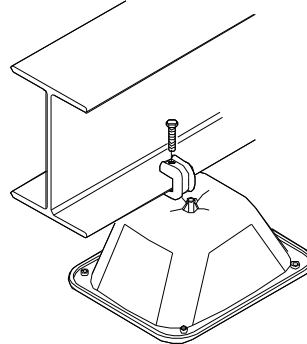


UNIVERSAL BRACKET WITH CLAMP

## "C" CLAMP FOR "I" BEAM MOUNTING

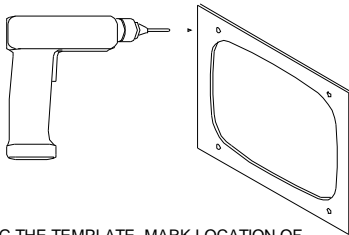


ATTACH CLAMP TO HORN

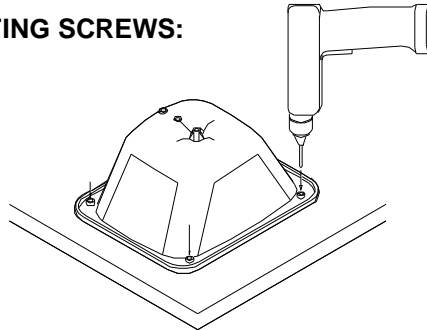


ATTACH FLEXHORN TO BEAM

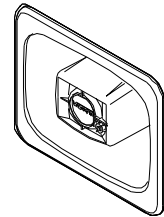
## FLUSH MOUNT USING MOUNTING SCREWS:



USING THE TEMPLATE, MARK LOCATION OF  
OPENING AND MOUNTING HOLES ON WALL.  
DRILL HOLES APPROPRIATE TO MOUNTING  
HARDWARE AND CUT OUT THE OPENING.

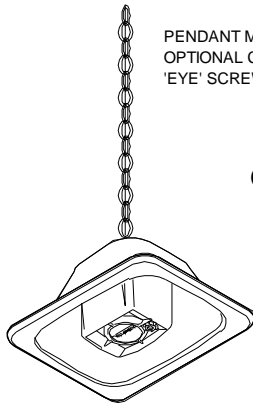


HOLDING FLEXHORN FIRMLY AGAINST A FLAT  
SURFACE, DRILL THROUGH EACH MOUNTING BOSS  
AS SHOWN.

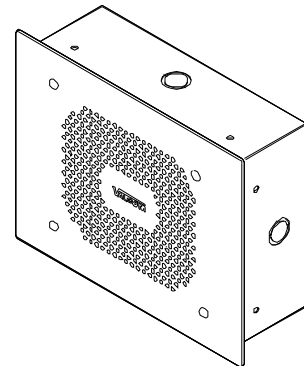


FLUSH MOUNTING IN A STUD WALL  
INSTALLED WITH MOUNTING SCREWS  
OR CONSTRUCTION CEMENT.

## OTHER MOUNTING OPTIONS:



PENDANT MOUNTING WITH  
OPTIONAL CHAIN AND  
'EYE' SCREW



OPTIONAL V-9805  
VANDAL RESISTANT ENCLOSURE